

Assembly Instruction

Thank you for purchasing our products. please read the assembly instructions carefully before assembling.

A×5



B×1



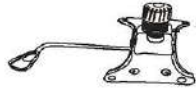
C×1



D×1



E×1



F×1



G×1



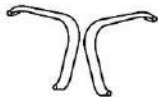
J×8



M×4



N (L&R)



H×3



I×4



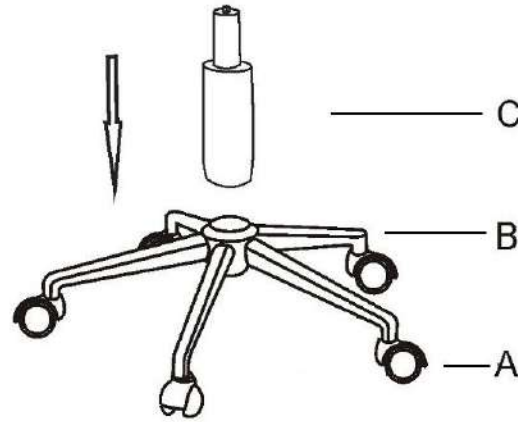
K×4



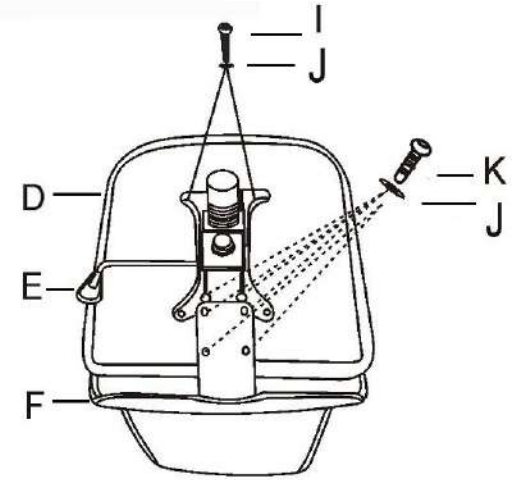
L×4



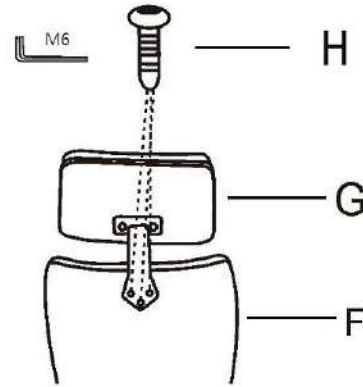
①



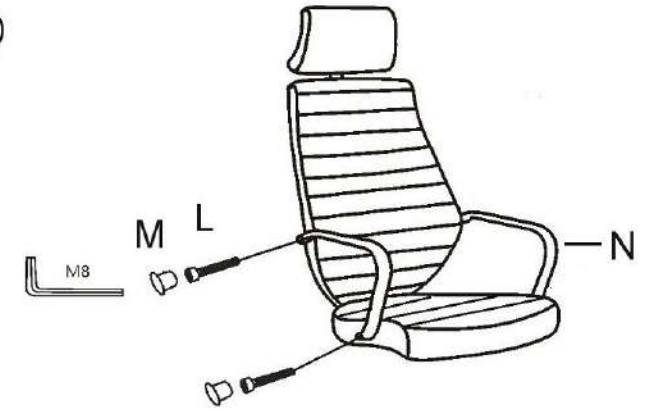
②



③



④



⑤



⑥

