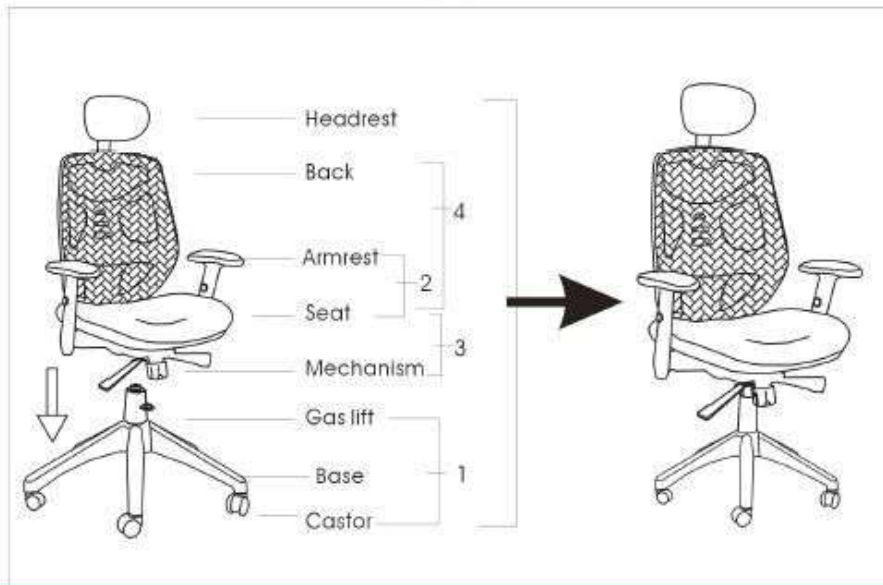
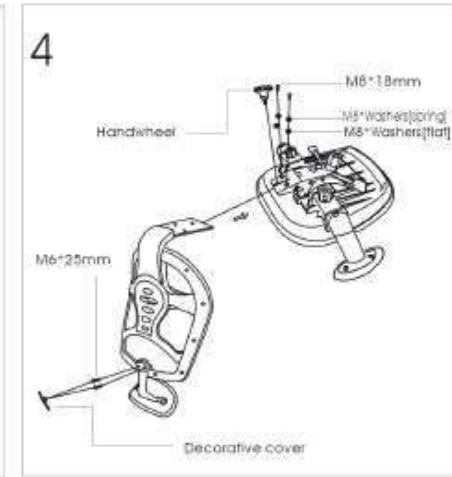
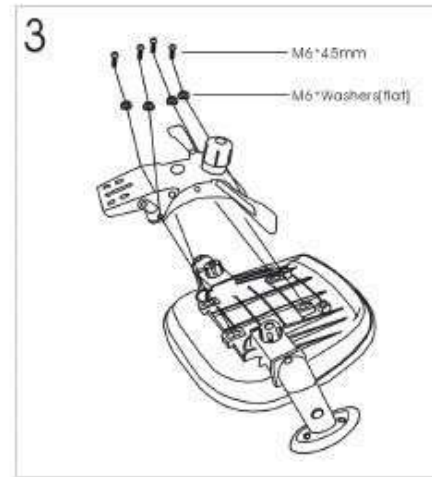
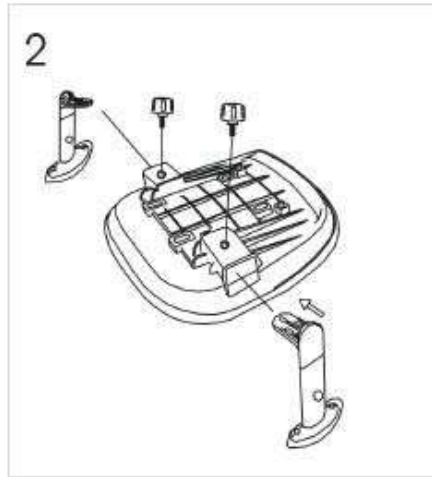
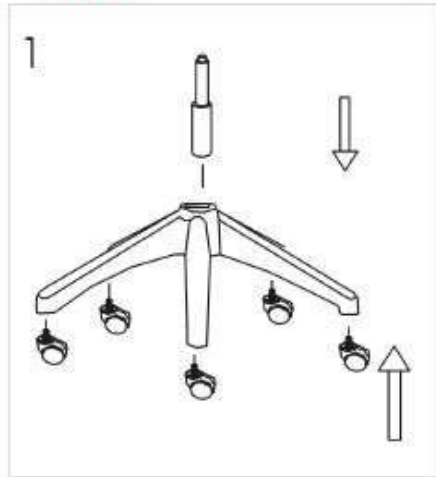


ASSEMBLY INSTRUCTIONS

"functional seating for today's workplace"

MODEL:BCM/K1 1 3/BK BATCH/ID NO:1 05990/S



			
M6*45mm	4	M6	4
M8*18mm	2	M8	2
M6*25mm	2		
		M8	2

50
40
30
20
10
0

Parts Checklist

PREVENTIVE MAINTENANCE AND WARNING

- ONLY FOR SEATING ONE PERSON AT A TIME.
- DO NOT USE CHAIR AS STEP-STOOL OR LADDER.
- DO NOT USE CHAIR UNLESS ALL BOLTS, SCREWS ARE TIGHT.
- AT LEAST EVERY SIX MONTHS CHECK ALL BOLTS AND SCREWS TO BESURE THEY ARE TIGHT.
- IF ANY PARTS ARE MISSING, BROKEN, DAMAGED OR WORN, STOP USING THE PRODUCT UNTIL REPAIRS ARE MADE WITH FACTORY AUTHORIZED PARTS.
- FAILURE TO FOLLOW THESE WARNINGS CAN RESULT IN SERIOUS INJURY.